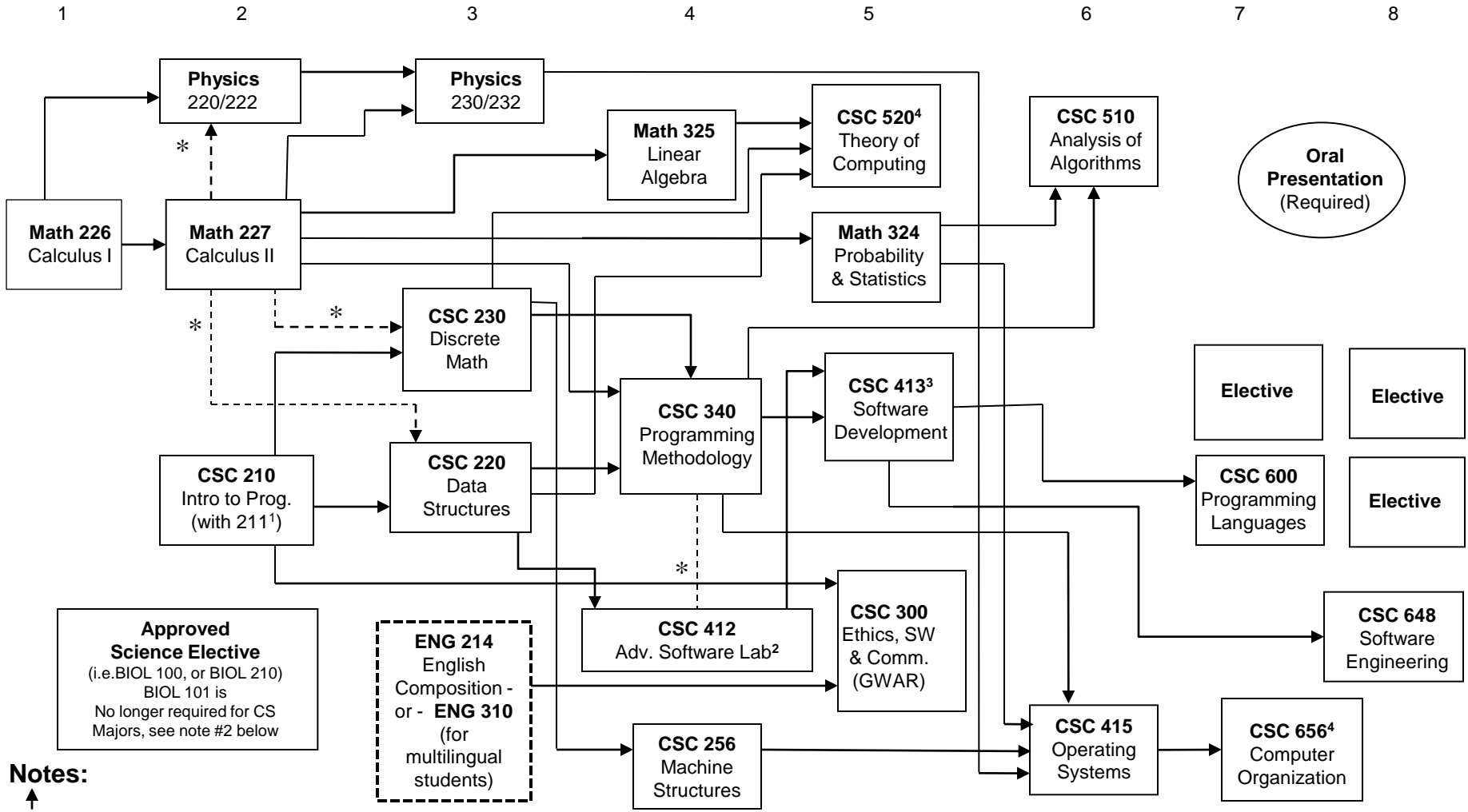


SAN FRANCISCO STATE UNIVERSITY BACHELOR OF SCIENCE IN COMPUTER SCIENCE PREREQUISITE CHART

SEMESTERS (Columns present suggested courses for each of 8 semesters)



Notes:

- * = Courses **MUST be taken concurrently**. □ = A prerequisite course for a CS major class, but is not counted in the 71 units for the major.
- 1. CSC 211 is a supporting lab that is recommended but not required.
- 2. For students without BIOL 101: **CSC 412 now required** and should be taken at the same time as CSC 340. (CSC 412 replaces BIOL 101 lab)
- 3. NOTE: CSC 412 is one of the prerequisites for CSC 413.
- 4. Four electives are required, one of which must be either CSC 520 or CSC 656. Most courses above CSC 600 can be used as electives, as well as MATH 400.
- 5. Check <http://www.assist.org/web-assist/welcome.html> to find equivalent courses at community colleges.

For more information and course descriptions visit <http://cs.sfsu.edu>