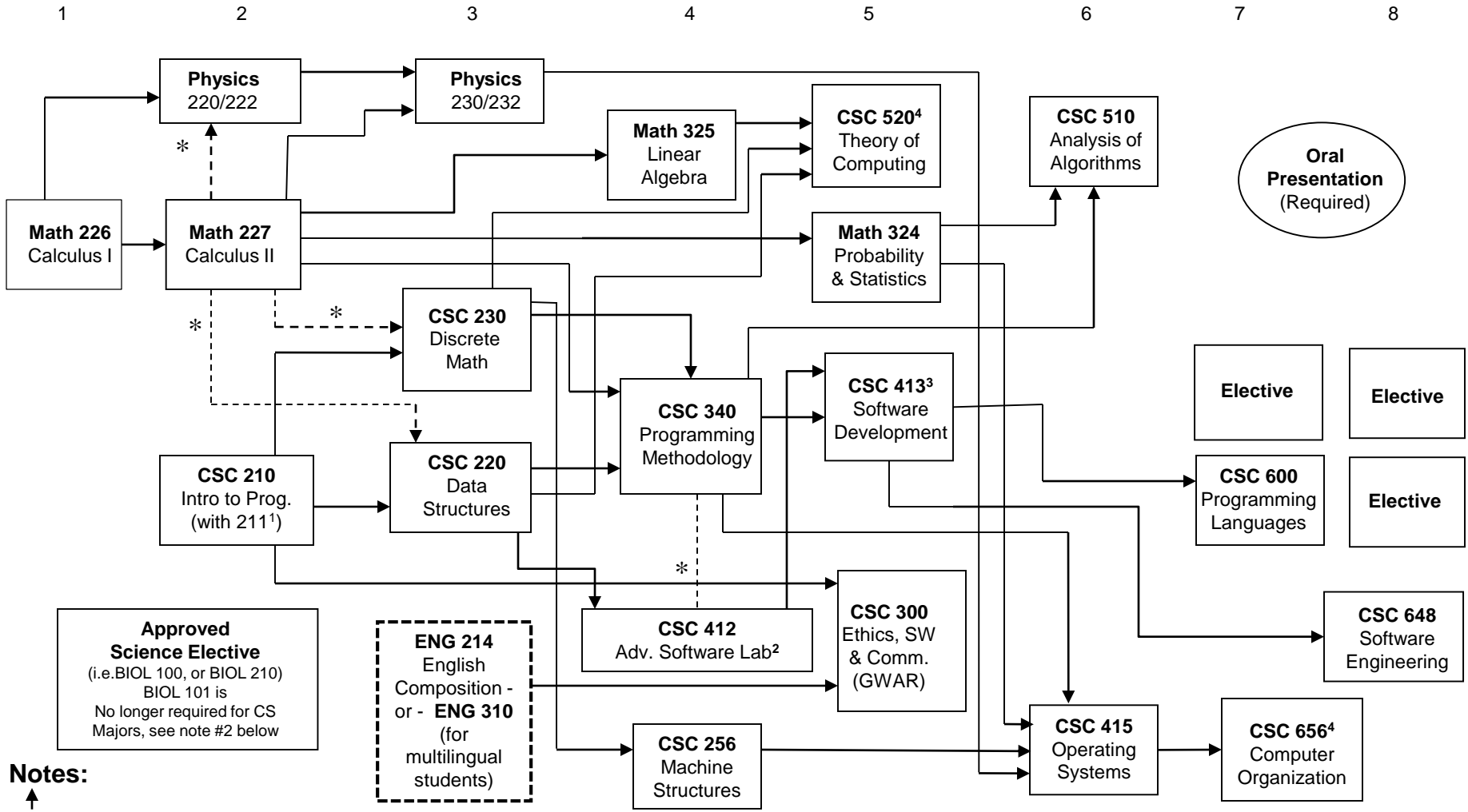


# SAN FRANCISCO STATE UNIVERSITY BACHELOR OF SCIENCE IN COMPUTER SCIENCE PREREQUISITE CHART

SEMESTERS (Columns present suggested courses for each of 8 semesters)



### Notes:

- \* = Courses **MUST be taken concurrently.** □ = A prerequisite course for a CS major class, but is not counted in the 71 units for the major.
- 1. CSC 211 is a supporting lab that is recommended but not required.
- 2. For students without BIOL 101: **CSC 412 now required** and should be taken at the same time as CSC 340. (CSC 412 replaces BIOL 101 lab)
- 3. NOTE: CSC 412 is one of the prerequisites for CSC 413.
- 4. Four electives are required. Most courses above CSC 600 can be used as electives, as well as CSC 520 and MATH 400. (except CSC 600 and CSC 648 which is mandatory for major)
- 5. Check <http://www.assist.org/web-assist/welcome.html> to find equivalent courses at community colleges.

For more information and course descriptions visit <http://cs.sfsu.edu>